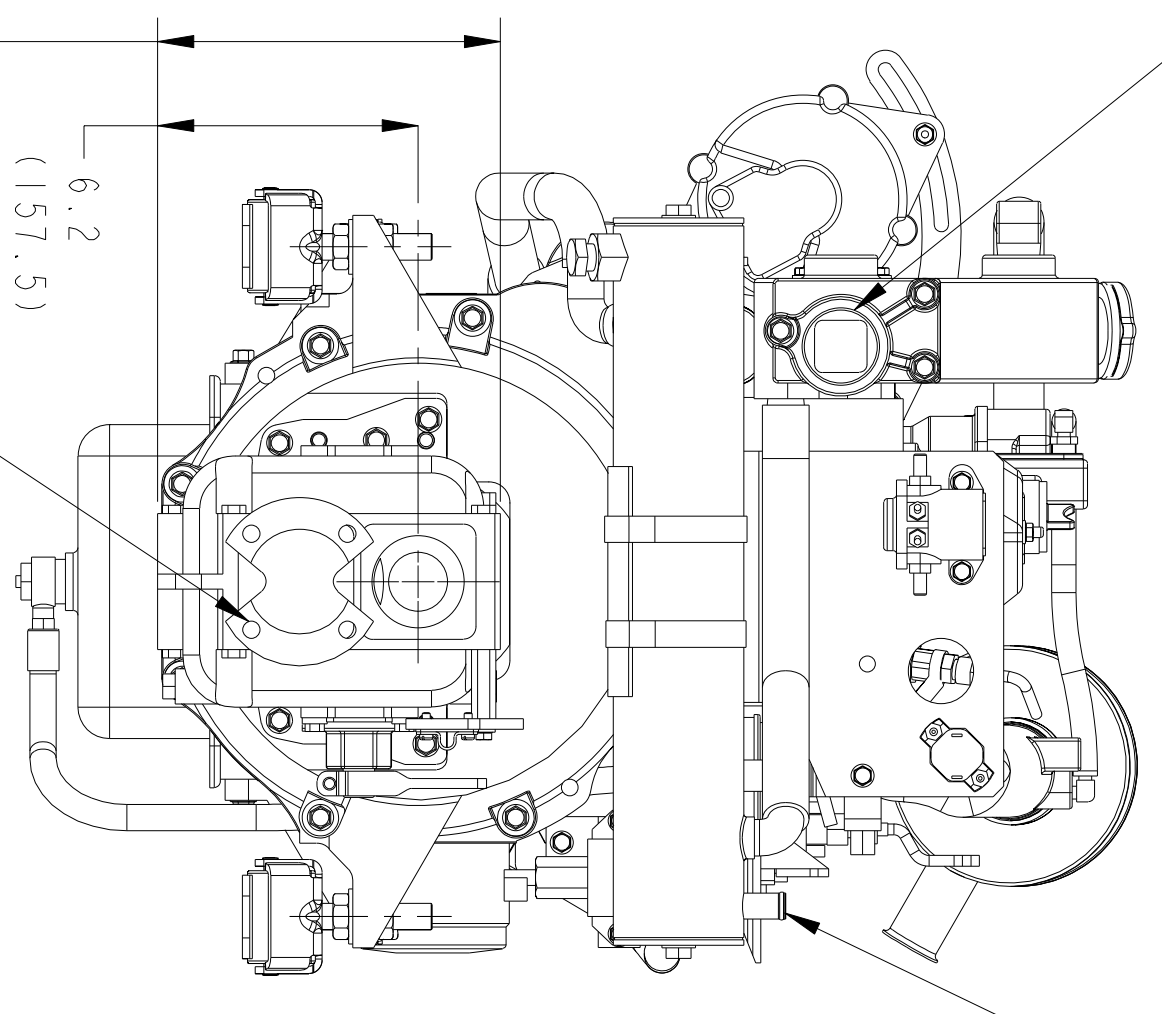


RAW WATER DISCHARGE
1 1/2 INCH N.P.T.

FUEL RETURN CONNECTION
5/16-18 NC (FEMALE)

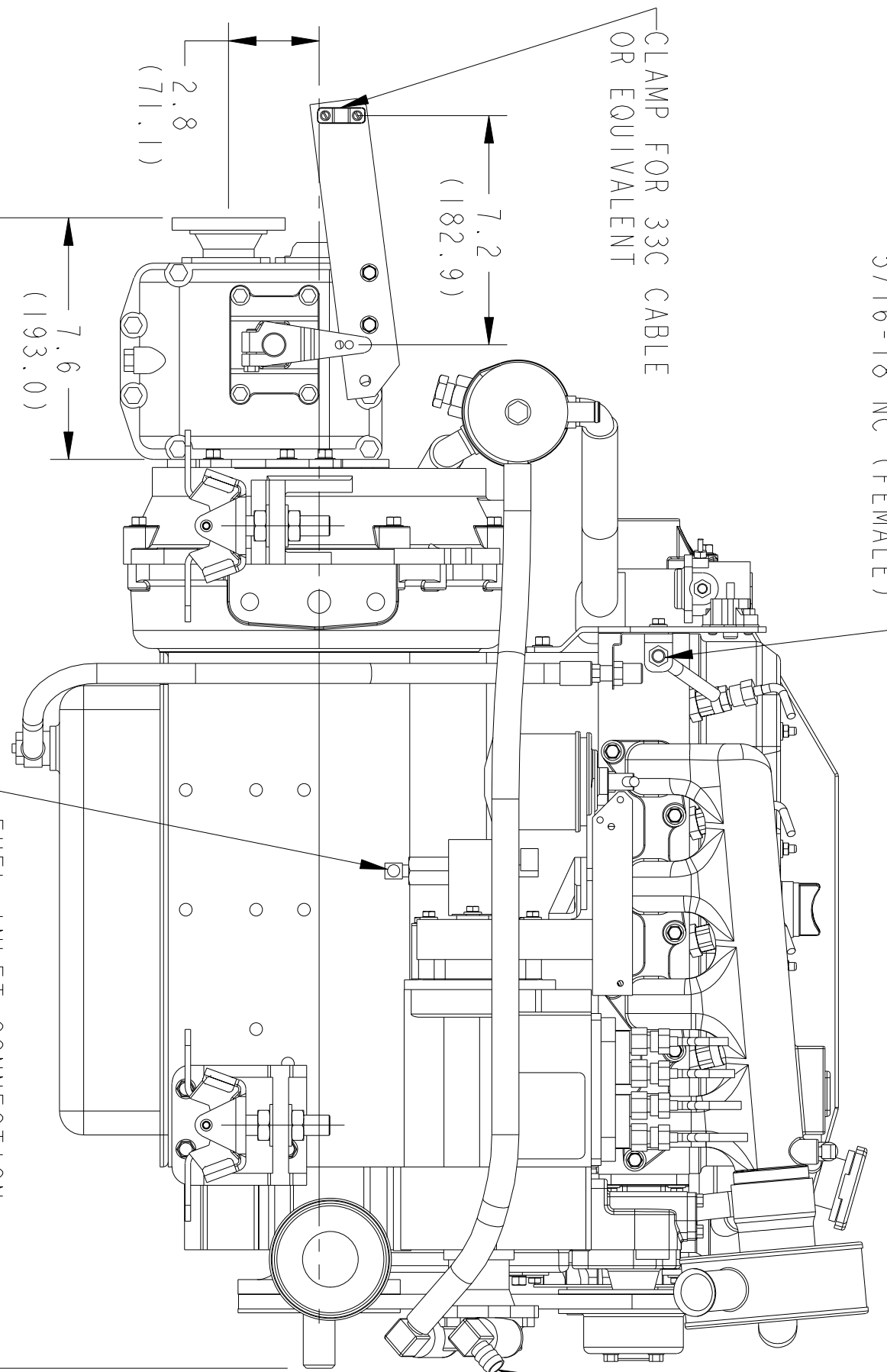
RAW WATER INLET
.63 (15.9) I.D. HOSE



8.2
(208.3)

6.2
(157.5)

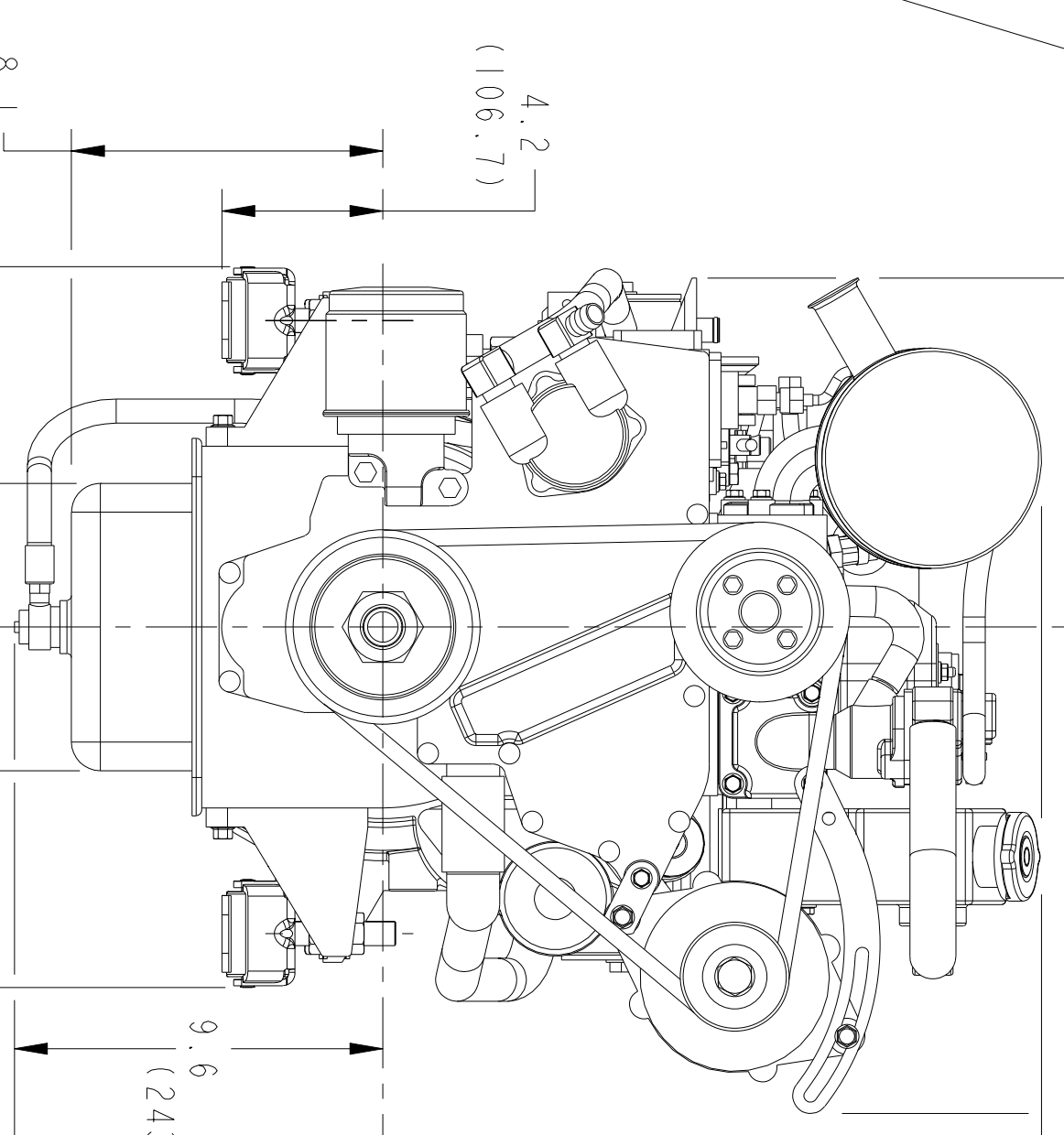
Ø.41 (10.5) THRU (4) HOLES EQUALLY
SPACED ON A 3.25 (82.5) Ø B.C.



CLAMP FOR 33C CABLE
OR EQUIVALENT

FUEL INLET CONNECTION
1/8-27 N.P.T.

36.0
(914.4)



8.1
(205.7)

4.2
(106.7)

9.1
(231.1)

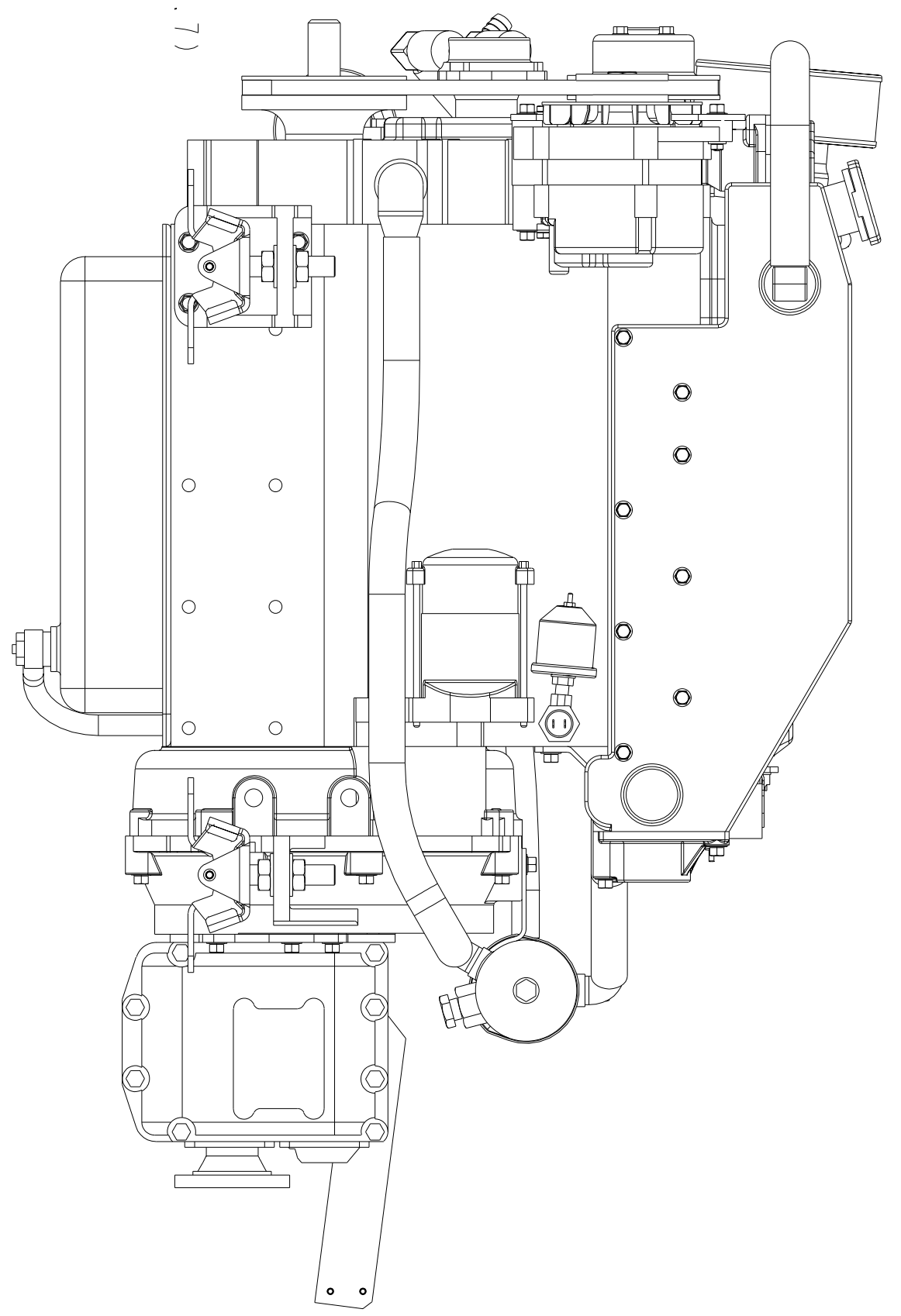
3.8
(96.5)

18.8
(477.5)

3.8
(96.5)

9.6
(243.8)

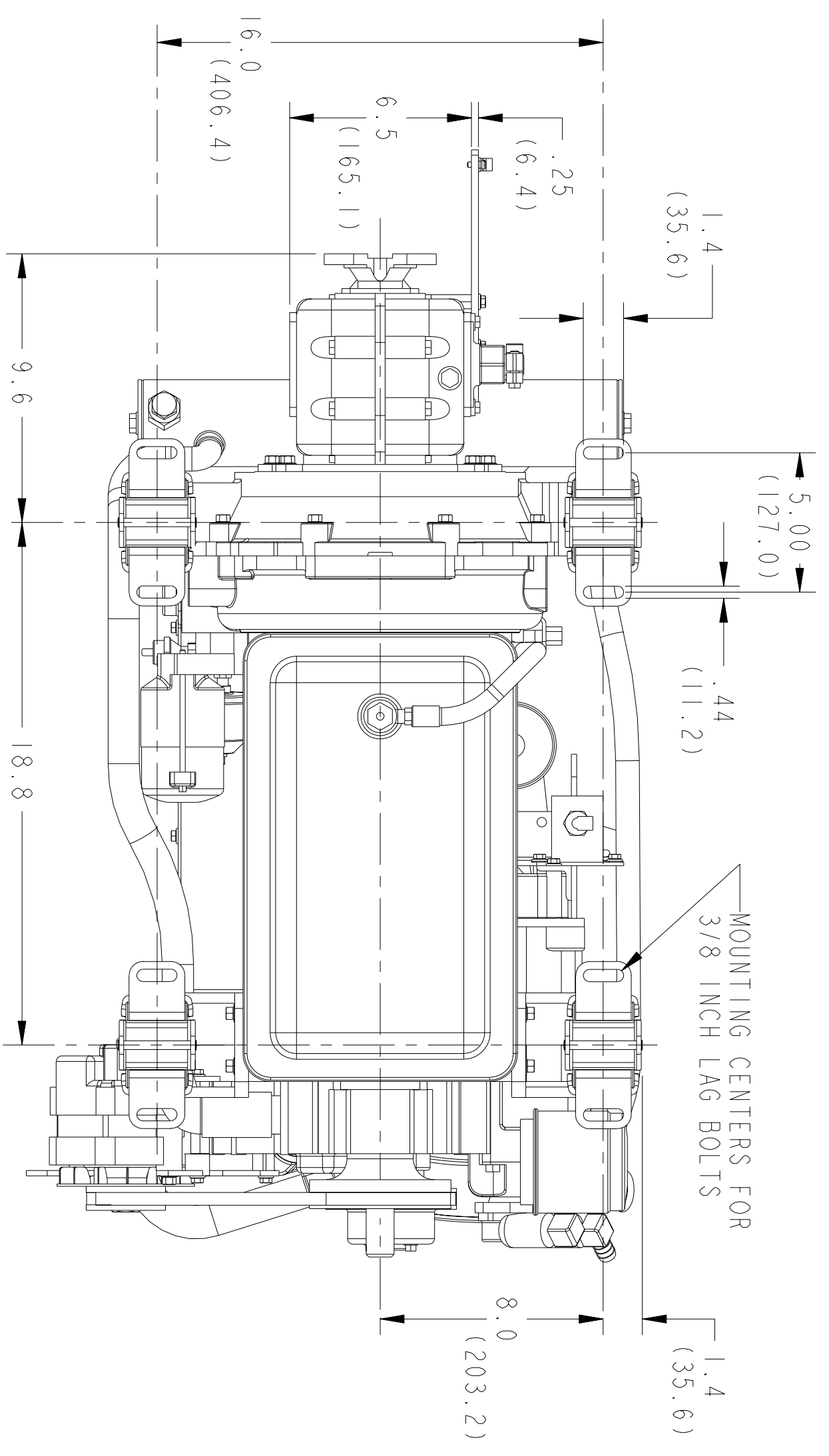
26.8
(680.7)



21.8
(553.7)

12.7
(322.6)

17.2
(436.9)



16.0
(406.4)

6.5
(165.1)

.25
(6.4)

1.4
(35.6)

5.00
(127.0)

.44
(11.2)

1.4
(35.6)

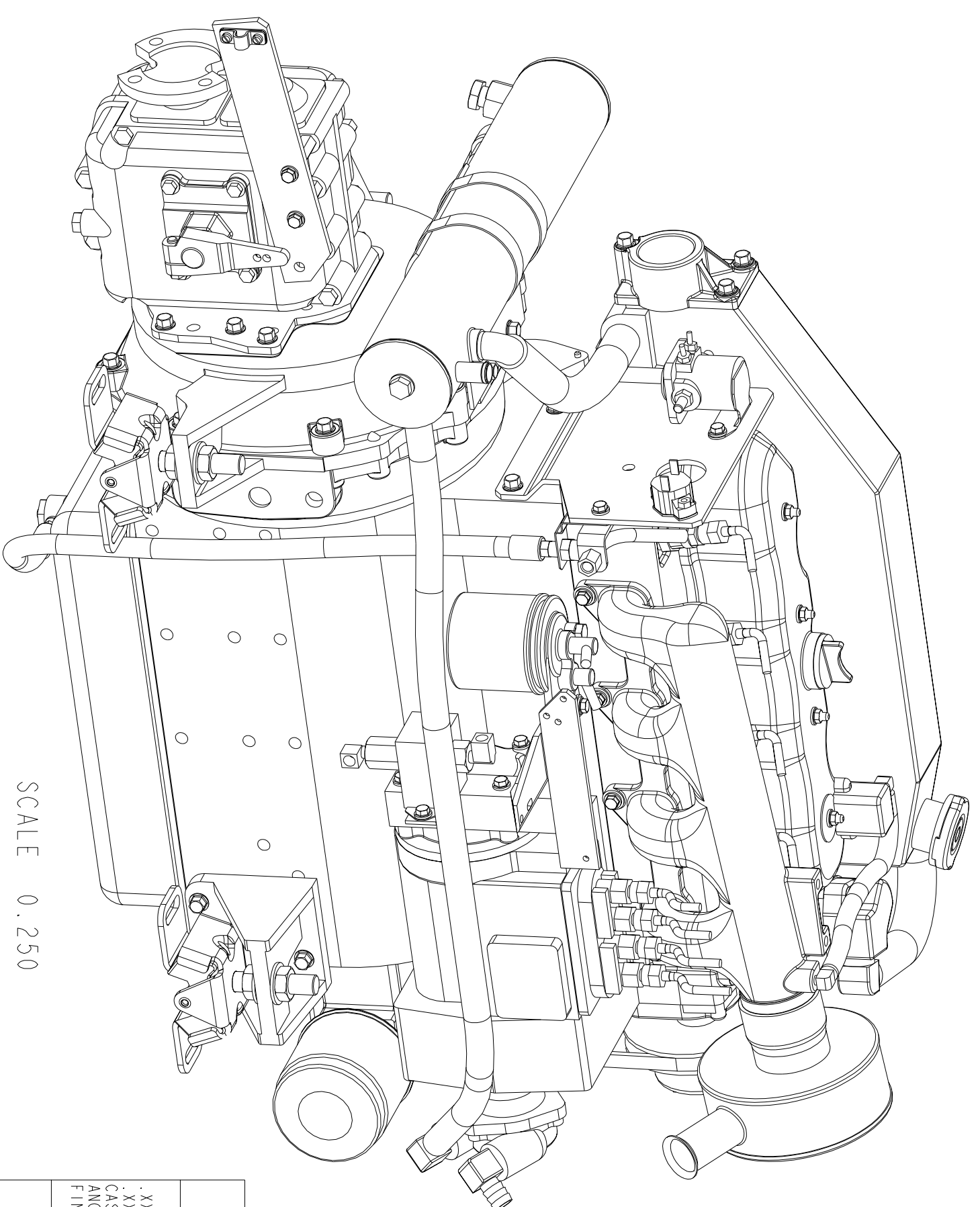
9.6
(243.8)

18.8
(477.5)

MOUNTING CENTERS FOR
3/8 INCH LAG BOLTS

1.4
(35.6)

8.0
(203.2)



SCALE 0.250

TOLERANCES (UNLESS OTHERWISE NOTED)		WESTERBEKE CORPORATION AVON, MA. 02322	
INCHES	MILLIMETERS	TITLE	
.XX	.XX	INSTALLATION DRAWING	
.05	.XX	M50B WITH HBW150 TRANSMISSION	
CAST	.XX	DRAWN BY	DATE
ANGLES	.5°	JM	1-11-99
FINISH	5/	APPROVED BY	MATERIAL
DIMENSIONS		SCALE	SHEET
INCHES		7/32	1 OF 1
MILLIMETERS		SIZE	DRAWING NUMBER
(WHEN APPLICABLE)		D	200527
		REQ.	